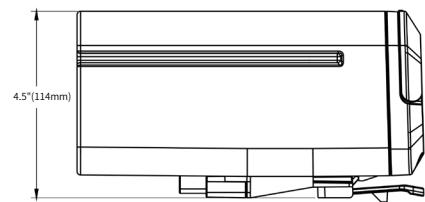
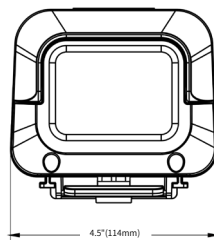
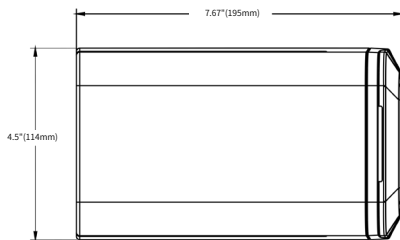


AGV-V2413A-S-WJ / Battery



Features

- **Cell Type:** High energy density ternary lithium battery
- **Certifications:** CE, CB, FCC, ROHS, SVHC, TSCA, MSDS, UN38.3
- **High Capacity:** 13Ah for longer runtime
- **Easy to Transport:** Comes with a convenient handle for carrying
- **Designed For:** Made for the Artist 1



Specifications

Model	AGV-V2413A-S-WJ
Material	Ternary lithium
Dimension	7.67" × 4.5" × 4.5" (195 mm × 114 mm × 114 mm)
Weight	5.5 lbs(2.5 kg)/battery
Packaging	2 batteries per box
Package Dimensions	12.7" x 10.1" x 8.3" (322 mm x 256 mm x 212 mm)
Package Weight	11.9 lbs(5.4 kg)
Runtime	75 mins /battery
Charging Time	1h40mins /one battery
Rated Capacity	13Ah
Rated Energy	331.5Wh
Nominal Voltage	25.5V
Internal Resistance	≤80 mΩ
Standard Charging Voltage	29.2V
Discharge Cut-off Voltage	20V
Circuit Protection	Overcharge, Overdischarge, Overcurrent, High/Low Temperature Protection (charging and discharging)
Recommended Operating Temperature	Charge (0~50 °C); Discharge (-20~60°C)
Storage Environment	Storage temperature(-20~+55°C), 5~95%RH

Transportation Method

1. **Proper Environment:** Avoid high temperatures, humidity, and sunlight.
2. **Prevent Short Circuits:** Use insulating materials to keep batteries from metal objects.

Precautions

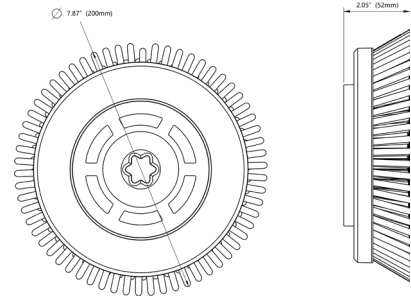
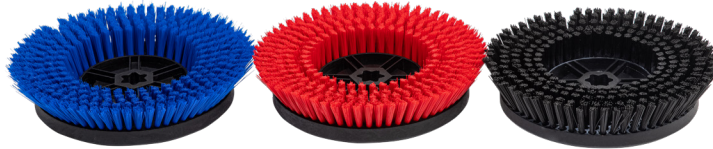
1. Use Aventurier chargers only.
2. Fully charge every 3 months if unused.
3. Prevent short circuits: Keep away from metal objects, heat, fire, sunlight, and liquids.
4. If battery leaks, avoid contact and rinse with water. Seek medical help if necessary.

Contact Information:

Email: info@avt-ai.com

Website: aventurobot.com

Disk Brush



Features

- Suitable for cleaning various hard surfaces
- Made of PP material, which is safe, environmentally friendly, and corrosion-resistant
- Strong and durable, with a long lifespan (recommended to replace every 6 months)
- Easy to install and secure
- Clear wear indicator for timely replacement

Specifications

Models	Blue, Red, Black
Purpose	Blue: Daily cleaning of sensitive, wax-protected floors Red: Daily cleaning of most surfaces such as marble and tiles Black: Deep cleaning of oil and wear-resistant floors
Material	PP (Polypropylene)
Dimensions	φ7.87" x 2.05" (200 mm x 52 mm)
Weight	Blue: 0.96 lbs (434 g) Red: 0.90 lbs (410 g) Black: 0.88 lbs (397 g)
Suitable Surfaces	<ul style="list-style-type: none"> · Marble: Blue (✓), Red (✓), Black (✗) · Granite: Blue (✓), Red (✓), Black (✓) · Tiles: Blue (✓), Red (✓), Black (✓) · PVC: Blue (✓), Red (✗), Black (✗) · Epoxy: Blue (✓), Red (✗), Black (✗) · Cement: Blue (✗), Red (✓), Black (✓) · Wood: Blue (✓), Red (✗), Black (✗)
Package	2 pieces/box
Package Weight	Blue: 2.29 lbs (1039 g) Red: 2.18 lbs (991 g) Black: 2.13 lbs (965 g)

Notes

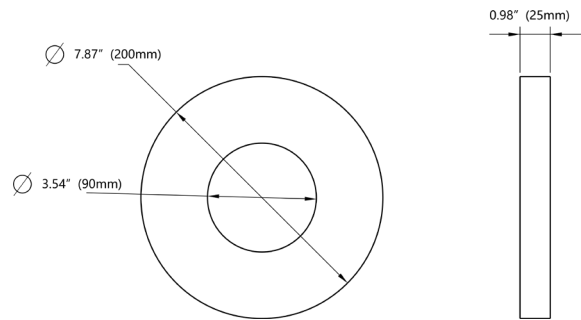
- Store in a dry environment
- Replace when worn
- Test on a small area before large-scale cleaning

Pads



Features

- Suitable for cleaning various hard surfaces
- Nylon/Polyester Fiber material, safe, environmentally friendly, and corrosion-resistant
- Wear-resistant with a long lifespan
- Fine mesh design, soft touch, does not delaminate when torn



Specifications

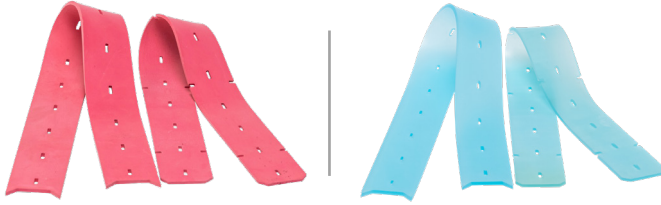
Models	White, Red , Black
Purpose	White: Fine cleaning of sensitive, wax-protected floors Red : Daily cleaning of tiles and other surfaces Black : Deep cleaning and oil removal on wear-resistant floors
Material	Polyester Fiber/Nylon
Dimensions	φ7.87" x 0.98" (200 mm x 25 mm)
Weight	White: 0.07 lbs (30 g) Red : 0.06 lbs (28 g) Black : 0.11 lbs (52 g)
Suitable Surfaces	<ul style="list-style-type: none"> • Marble: White (✓), Red (✓), Black (✗) • Granite: White (✓), Red (✓), Black (✓) • Tiles: White (✓), Red (✓), Black (✓) • PVC: White (✓), Red (✗), Black (✗) • Epoxy: White (✓), Red (✗), Black (✗) • Cement: White (✗), Red (✗), Black (✓) • Wood: White (✗), Red (✗), Black (✗)
Package	4 pieces/box
Package Weight	White: 0.51 lbs (230 g) Red : 0.49 lbs (222 g) Black : 0.70 lbs (318 g)

Notes

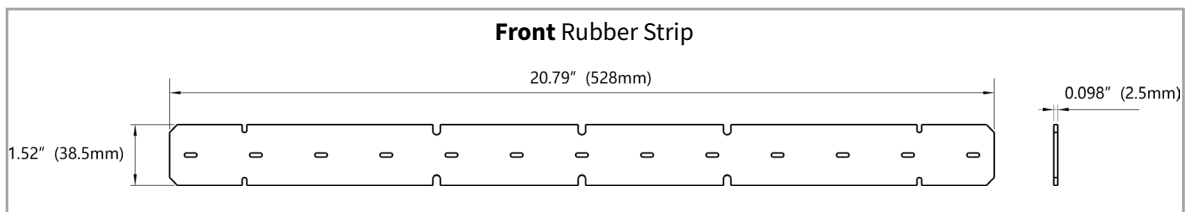
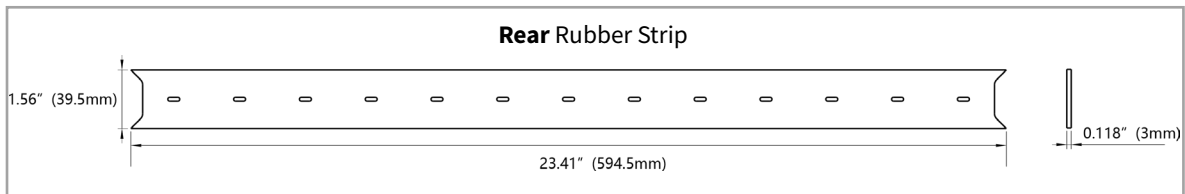
- Use with pad holder
- Store without pressure
- Test on a small area before large-scale cleaning

Rubber Strip

Features



- Safe and environmentally friendly, oil-resistant, dirt-resistant, corrosion-resistant, and easy to clean
- Soft, wear-resistant, and tear-resistant
- Precision cutting, neat edges, reversible



Specifications

Models	Red, Blue
Purpose	Red: Suitable for various hard surfaces Blue: Suitable for high-gloss and oily floors
Material	Natural Rubber, PU (Polyurethane)
Dimensions	Front one: 20.79" x 1.52" (528 mm x 38.5 mm) Rear one: 23.41" x 1.56" (594.5 mm x 39.5 mm)
Weight	0.28 lbs (126 g)
Package	1 pair/box
Package Weight	0.36 lbs (164 g)

Notes

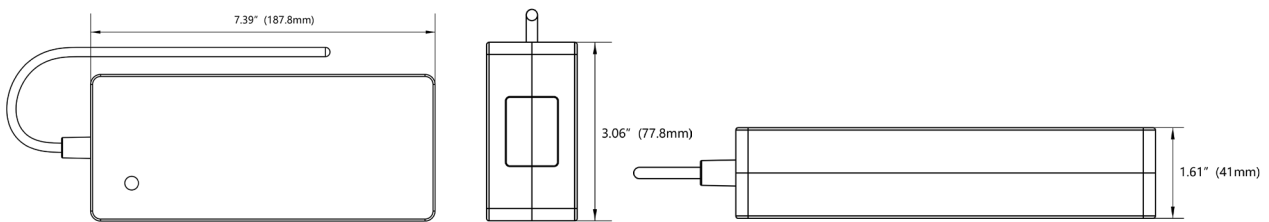
- Each pair includes one front and one rear blade, ensure correct installation
- Store without bending
- Clean it promptly if dirty
- Replace blades every 3 months for optimal performance

AP-PN240CH02940080 / Fast Charger

Features



- 8A fast charging, suitable for Aventurier's batteries
- Global certifications including CE, FCC, UL, UKCA



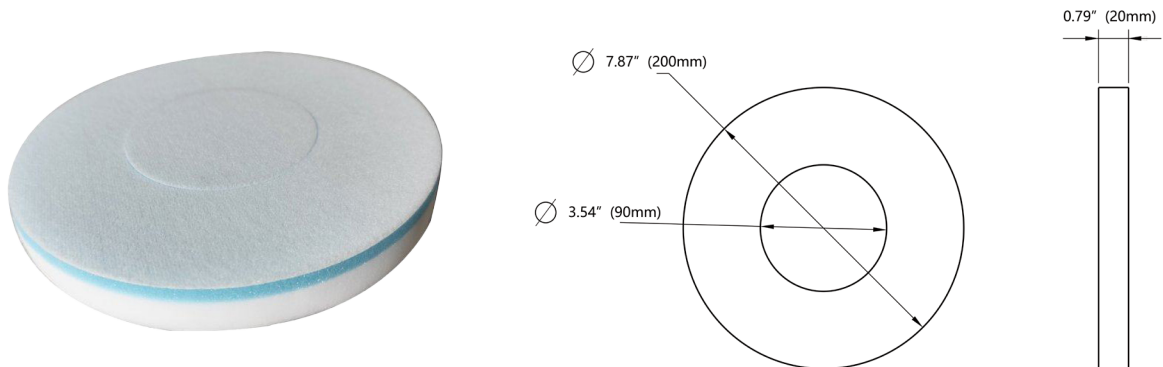
Specifications

Rated Input Voltage	100~240Vac
Output Voltage	29.5±0.2Vdc
Output Current	8A
Dimensions	7.39" x 3.06" x 1.61" (187.8 mm x 77.8 mm x 41 mm)
Voltage Accuracy	±0.2V
Operating Temperature	-10 to +40°C
Storage Temperature	-40 to +70°C
Efficiency	≥90%
Protections	Short Circuit, Overvoltage, Overcurrent
Charging Indication	<ul style="list-style-type: none"> • Power On: Green light • Charging: Red light • Fully Charged: Green light

Notes

- Read manual before use
- Ensure the input socket can handle maximum current
- Suitable for car, ship, and airplane transport; protect from sun and handle with care
- Store in original packaging in a dry, ventilated place

Melamine Pad



Features

- Compressed melamine sponge material, high density, strong toughness, wear-resistant
1. Microfiber strands penetrate fine gaps for deep cleaning without scratching the surface
 2. No cleaning agents needed, only water
 3. Strong water retention, can wash and brush simultaneously
 4. PU backing design ensures firm attachment to needle pad

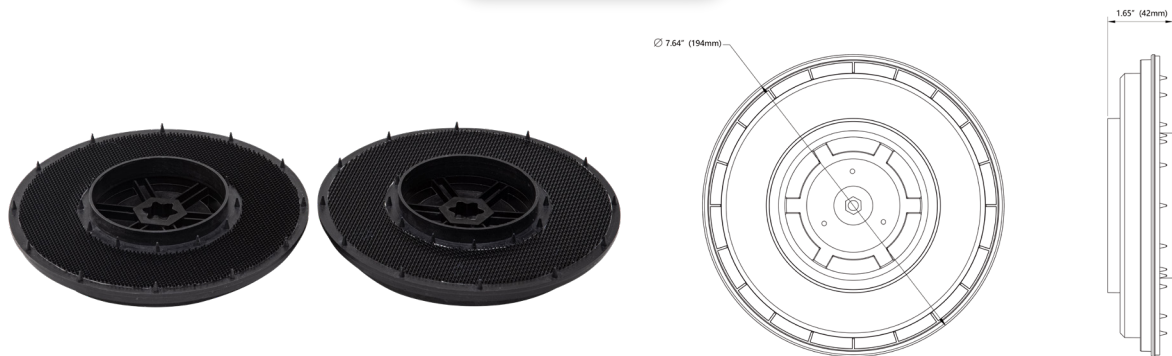
Specifications

Model	Melamine Pad
Purpose	Fine cleaning of sensitive, wax-protected floors
Material	Melamine
Dimensions	φ7.87" x 0.79" (φ200 mm x 20 mm)
Suitable Surfaces	<ul style="list-style-type: none"> • Marble: ✓ • Granite: ✓ • Smooth Tiles: ✓ • Anti-Slip Tiles: ✗ • PVC: ✓ • Epoxy: ✓ • Cement: ✗ • Wood: ✗
Package	4 pieces/box

Notes

- Use with needle pad
- Store without pressure
- Test on a small area before large-scale cleaning

Pad Holder



Features

- PP material with excellent chemical resistance, heat resistance, electrical insulation, high mechanical strength, and good wear resistance
- ABS needle plate, evenly distributed, sturdy, and not easy to break, firmly adhered
- Wide compatibility, can adhere to various pads
- Magnetic attachment to the main machine, easy to install and remove

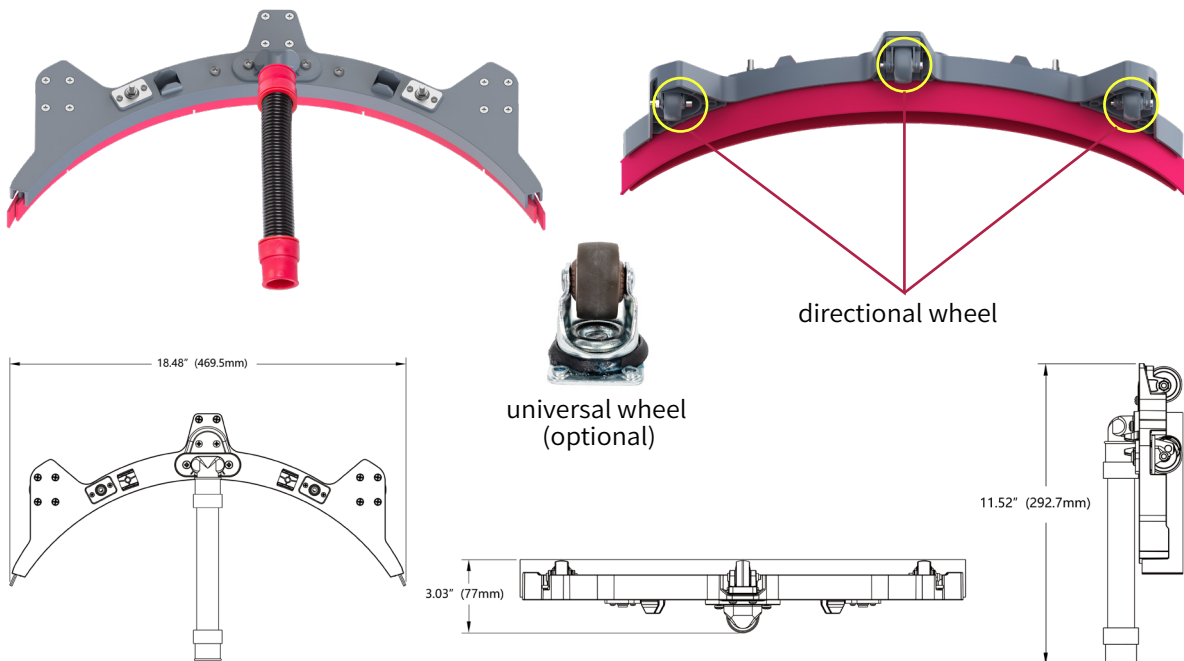
Specifications

Model	Pad Holder
Purpose	Fixing scouring pads and melamine pads
Material	PP, ABS
Dimensions	$\phi 7.64'' \times 1.65''$ (194 mm x 42 mm)

Notes

- Regularly clean and maintain the pad
- Store without pressure
- Avoid using on uneven surfaces to prevent damage to the pads

Squeegee Assembly



Features

- Made of durable ABS material
- Precisely aligns with two holes on the scrubber for easy assembly and disassembly
- Suction frame with two-hole positioning for easy installation and removal
- Squeegee blade with multiple positioning holes for easy installation and secure attachment
- Standard wheels can be replaced with universal wheels;
- Universal wheels are more flexible and better for delicate floors (like non-abrasive or waxed floors, PVC, marble) without scratching them

Specifications

Model	Squeegee Assembly
Components	Suction frame, suction hose, red rubber strip
Purpose	To remove dirty water and use suction to direct waste water into the waste water tank
Material	ABS, Natural Rubber, PVC
Dimensions	18.49" x 11.52" x 3.03" (469.5 mm x 292.7 mm x 77 mm)
Weight	
Package	1 unit/box
Package Weight	Not specified

Notes

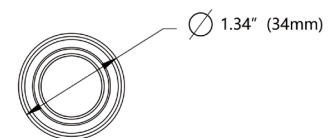
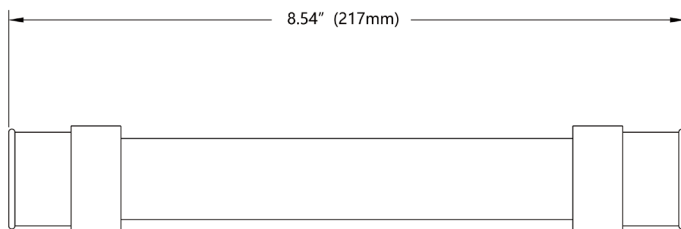
- Clean it promptly after each use

Suction Hose



Features

- Flexible, durable, and wear-resistant
- Smooth internal surface to prevent clogging
- Flat-end connectors for easy assembly and disassembly



Specifications

Model	Suction Hose
Purpose	Connects the main unit to the water suction assembly
Material	PVC with coated steel wire
Dimensions	1.34" x 8.54" (34 mm x 217 mm)
Compression Ratio	1:2
Temperature Resistance	-30°C to 80°C
Weight	Not specified
Packaging	1 unit/box
Packaging Weight	Not specified

Notes

- Avoid excessive bending during storage to prevent damage
- Regularly check and maintain the hose to ensure it remains clear and functional

Clean Water Tank



Features

- Large 4L water tank
- Two water inlets for different filling scenarios
- Antibacterial ABS material, strong, corrosion-resistant
- Comfortable handle design for easy carrying

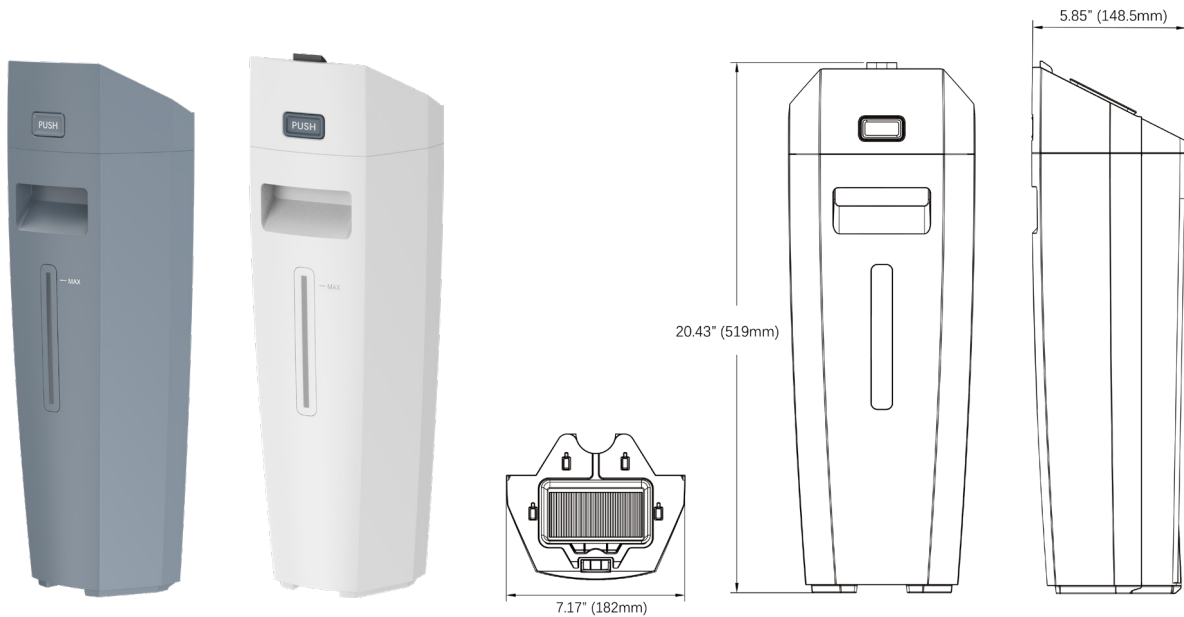
Specifications

Model	Clean Water Tank
Purpose	Storing waste water
Material	Antibacterial ABS, Natural Rubber
Dimensions	20.55" x 4.17" x 7.22" (522 mm x 106 mm x 183.5 mm)
Volume	4L

Notes

- Clean and empty after use
- Do not invert when filled with water
- Wash HEPA filter and let dry before use
- Open both inlets when filling with water
- Do not insert hose or faucet directly into the inlet to avoid contamination
- Avoid strong acids and bases

Waste Water Tank



Features

- Large 4L capacity
- Made of durable and corrosion-resistant antibacterial ABS material
- Two-piece cover design with a wide opening for easy cleaning and emptying, preventing dirt buildup, bacterial growth, and odors
- Includes a detachable HEPA filter for cleaning

Specifications

Model	Waste Water Tank
Components	Tank base, tank cover, HEPA filter
Purpose	Storing wastewater
Material	Antibacterial ABS, Natural Rubber
Dimensions	20.43" x 5.85" x 7.17" (519 mm x 148.5 mm x 182 mm)
Capacity	4L (effective capacity)
Weight	Not specified
Packaging	1 unit/box
Packaging Weight	Not specified

Notes

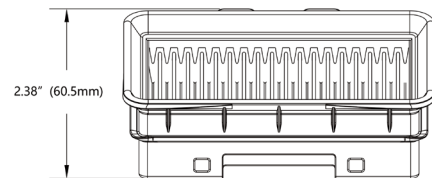
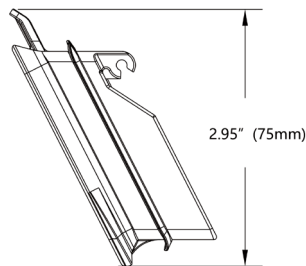
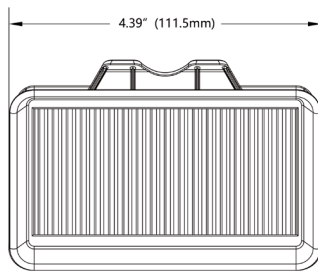
- Empty and clean the tank promptly after each use to prevent odors
- Do not invert the tank when filled with water to prevent spills
- Avoid using strong acids and bases
- HEPA filter must be completely dried before reuse to avoid high airflow resistance

HEPA Filter



Features

- Dual filtration with PET filter cloth for greater efficiency and dust capacity
- Antibacterial and anti-fungal, odor-free



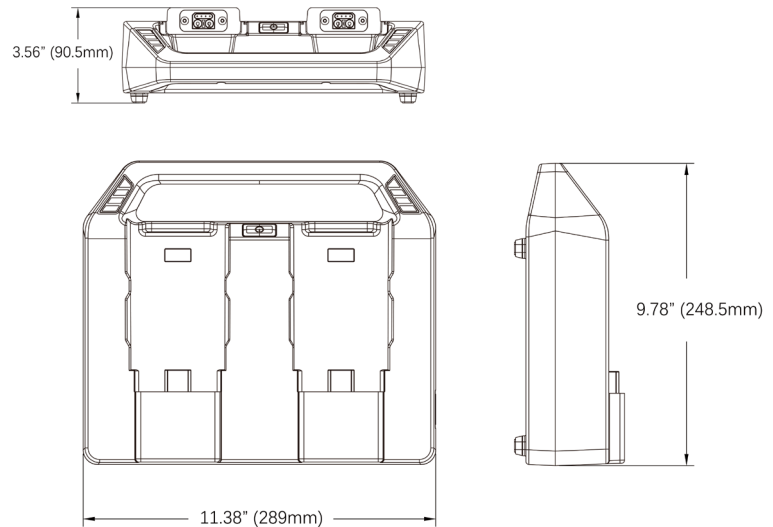
Specifications

Model	HEPA
Purpose	Water and air filtration
Material	PET (Polyethylene Terephthalate)
Dimensions	4.39" x 2.95" x 2.38" (111.5 mm x 75 mm x 60.5 mm)
Specifications	Not specified
Weight	Not specified
HEPA Thickness	0.36 ± 0.05 mm
Air Volume	585 L/sqm/s
Antibacterial	Yes
Anti-fungal	Yes
Packaging	1 unit/box
Packaging Weight	Not specified

Notes

- Washable and reusable after drying
- Clean regularly to maintain performance
- Must be completely dried before reuse to avoid high airflow resistance

Charging Base



Features

- Can charge a single battery or with a charger
- Independent switch control to reduce plugging and unplugging of power cords
- Monitors battery status and provides safety protection to avoid hazards

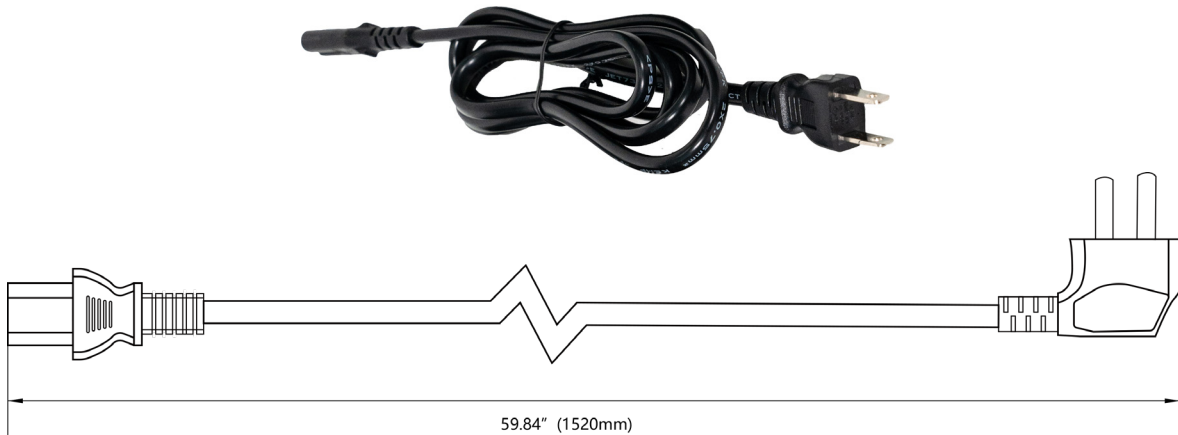
Specifications

Model	Charging Base
Purpose	Battery charging
Dimensions	11.38" x 9.78" x 3.56" (289 mm x 248.5 mm x 90.5 mm)
Weight	Not specified
Charging Switch	Yes
Charging Indicator	<ul style="list-style-type: none"> • Charging: Green light flashing • Fully Charged: Green light solid • Low Battery: Red light • Battery Error: Red light • No Battery/Power Off: No light
Packaging	1 unit/box
Packaging Weight	Not specified

Notes

- Do not touch the charging base with wet hands
- Charge in a dry, clean, well-ventilated indoor environment at 5-35°C; avoid high temperatures and humidity
- Connect the charger to the base on a flat, hard surface. Insert the battery and switch on to start charging
- To stop charging, press the power switch; the indicator light will turn off

Power Cable



Features

- Certified plugs and cables, compliant with ROHS standards, safe and reliable
- Pure copper core wire
- Heat-resistant, flame-retardant, no leakage; PVC material coating with internal fire-resistant layer
- Anti-slip and anti-break design, smooth plugging and unplugging

Specifications

Model	Various (EU, UK, US, AU, KO, JP,CN standards)
Purpose	Battery charging
Cable Length	4.92 feet (1.5 meters)
Connector Type	IEC C13
Current Rating	16A
Cable Diameter	3 x 0.03 in ² (3 x 0.75 mm ²)
Weight	Not specified
Electrical Requirements	300V rated voltage, 80°C rated temperature
Packaging	1 unit/box
Packaging Weight	Not specified

Notes

- Ensure hands are dry when plugging and unplugging to avoid electric shock or misalignment
- Avoid excessive bending of the power cord